

# LTC

Contactless magnetostrictive Linear position sensor



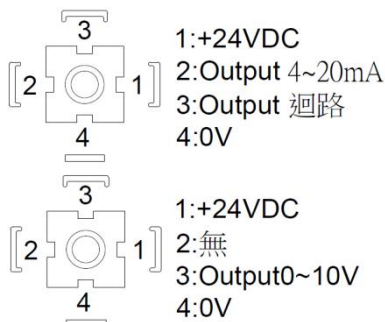
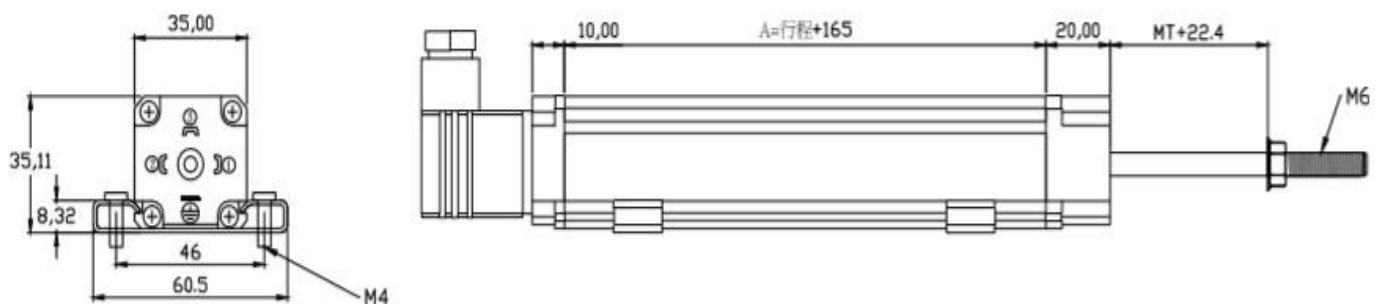
### Characteristic:

1. Inductive measurement principle
2. Resistance to magnetic field interference
3. No mechanical wear, unlimited mechanical life
4. Dynamic response, refresh rate up to 10 kHz
5. Reproducibility up to 5  $\mu\text{m}$

### Advantage:

- Unlimited mechanical life ◦
- Excellent linearity ◦
- Higher resolution 0.01mm ◦
- High running speed ◦
- DIN43650 Standard plug and socket ◦
- Protection level IP67 ◦

### Installation dimension drawing:



### Shipping standard:

Hermans connector x 1

Seal x1

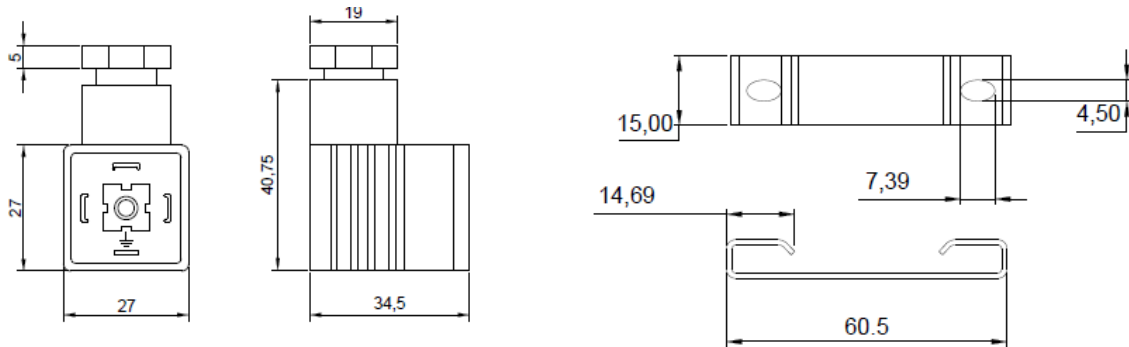
Fish eye connector OR Universal joint x1

brackets x2

(M4) Screwsx4

# LTC

## Contactless magnetostrictive Linear position sensor



	LTC	LTC	LTC	LTC	LTC	LTC	LTC	LTC	LTC	LTC
<b>Electrical-parameters</b>										
Model size	50	100	150	200	250	300	350	400	450	500
Nominal stroke (mm)	50	100	150	200	250	300	350	400	450	500
Electric stroke (mm)	Model (length)									
output signal	0~10 VDC (load $\geq 5\text{ k}\Omega$ )					4~20 mA (load $\leq 500\ \Omega$ )				
Independent linearity	$\leq 0.03\%FS$ (最大 $\pm 90\mu\text{m}$ )									
Repeatability	$< \pm 0.005\%$									
Working current	$\leq 100\text{mA}$									
Zero tolerance	$\pm 0.5\text{mm}$									
Operating Voltage	standard 24V(18~30V)									
Reverse protection	Yes									
Temperature error	$\leq 15$ (least 0.01 mm/K)ppm/k									
Insulation resistance (500 VDC)	$\geq 10\text{M}\Omega$									
<b>Mechanical Parameter</b>										
Shell Length(A)	Model +165mm									
Mechanical stroke(M)	Working range +22.4mm									
<b>Operation force</b>										
Vertical direction	$\leq 0.4\text{N}$									
Vertical direction	$\leq 1.1\text{N}$									
Operation temperature	$-40\sim 80^\circ\text{C}$									
Life time	unlimited									
Shock	50g 6ms									
Max speed	10m/smst									
Protection class	IP67									

# LTC

## Contactless magnetostrictive Linear position sensor

	LTC	LTC	LTC	LTC	LTC	LTC	LTC	LTC	LTC	LTC
Electrical-parameters										
Model size	550	600	650	700	750	800	850	900	950	1000
Nominal stroke (mm)	550	600	650	700	750	800	850	900	950	1000
Electric stroke (mm)	Model (length)									
output signal	0~10 VDC (load $\geq 5 \text{ k}\Omega$ )					4~20 mA (load $\leq 500 \Omega$ )				
Independent linearity	$\leq 0.03\%FS$ (最大 $\pm 90\mu\text{m}$ )									
Repeatability	$< \pm 0.005\%$									
Working current	$\leq 100\text{mA}$									
Zero tolerance	$\pm 0.5\text{mm}$									
Operating Voltage	standard 24V(18~30V)									
Reverse protection	Yes									
Temperature error	$\leq 15$ (least 0.01 mm/K)ppm/k									
Insulation resistance (500 VDC)	$\geq 10\text{M}\Omega$									
Mechanical Parameter										
Shell Length(A)	Model +165mm									
Mechanical stroke(M)	Working range +22.4mm									
Operation force										
Vertical direction	$\leq 0.4\text{N}$									
Vertical direction	$\leq 1.1\text{N}$									
Operation temperature	$-40\sim 80^\circ\text{C}$									
Life time	unlimited									
Shock	50g 6ms									
Max speed	10m/s most									
Protection class	IP67									

